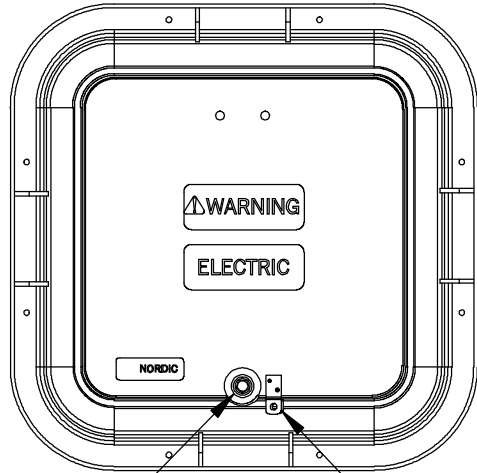
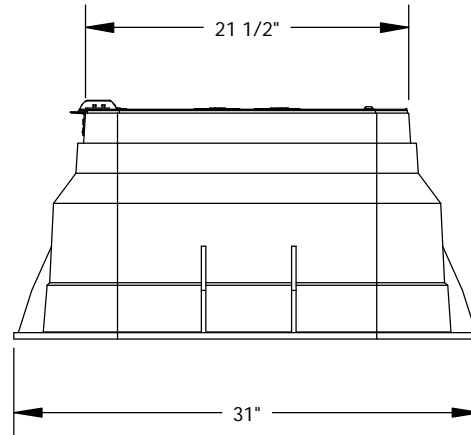
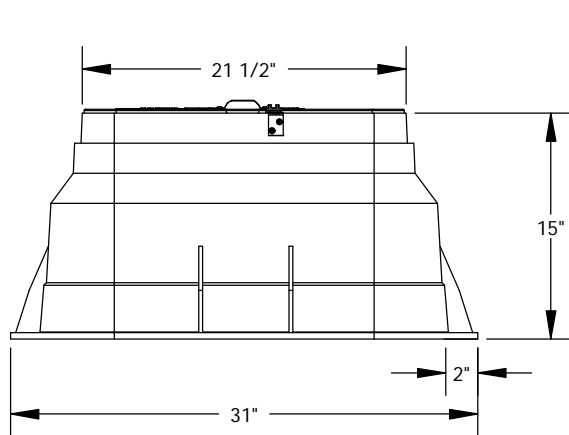
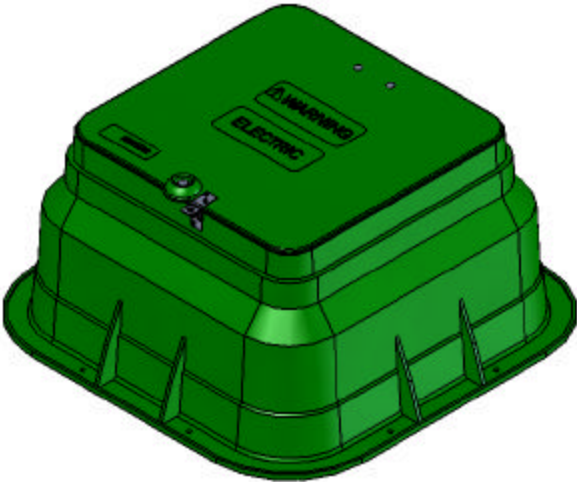


REVISIONS			
REV.	DESCRIPTION	DATE	APPROVED
REL-01		6/19/2006	



3/8-16 SST Pentahead Bolt

SST Bit



**Nordic Fiberglass, Inc.**  
 21415 US Hwy 75 NW, Warren, MN 56762  
 www.nordicfiberglass.com  
 218-745-5095 ph. ... 218-745-4990 fax

**PROPRIETARY AND CONFIDENTIAL**  
 THE INFORMATION CONTAINED IN THIS DRAWING IS THE SOLE PROPERTY OF NORDIC FIBERGLASS, INC. ANY REPRODUCTION IN PART OR AS A WHOLE WITHOUT THE WRITTEN PERMISSION OF NORDIC FIBERGLASS, INC. IS PROHIBITED.

Customer Name: N/A		
DIMENSIONS ARE IN INCHES		
TOLERANCES: ANGLES ± 1°		
FRACTIONAL ± 1/2		
ONE PLACE DECIMAL ± .060		
TWO PLACE DECIMAL ± .030		
THREE PLACE DECIMAL ± .015		
MATERIAL		
DRAWN	NAME	DATE
P.J.W.		06/19/06
CHECKED		

PHH2-212115-MG	
SIZE	ITEM ID:
<b>A</b>	03512.01
SCALE: 1:12	REV. <b>REL-01</b>
SHEET 1 OF 1	