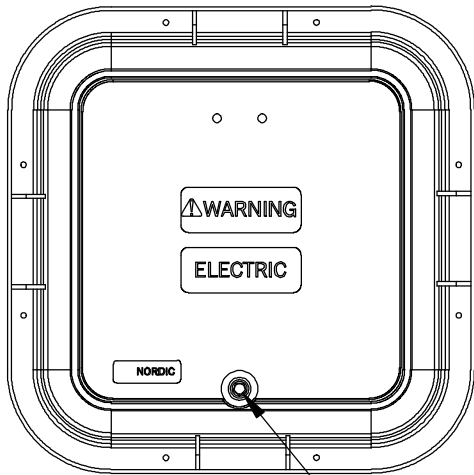
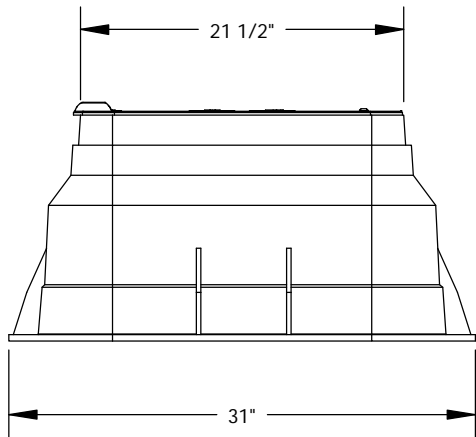
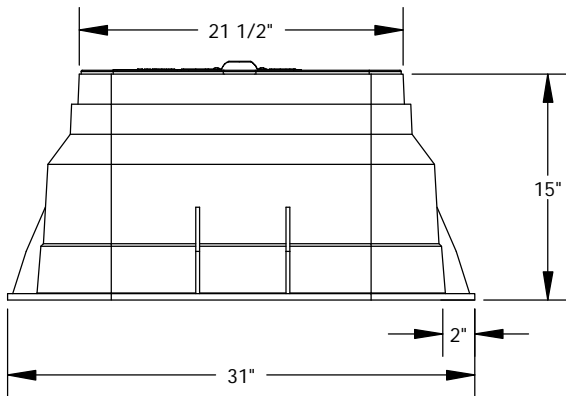
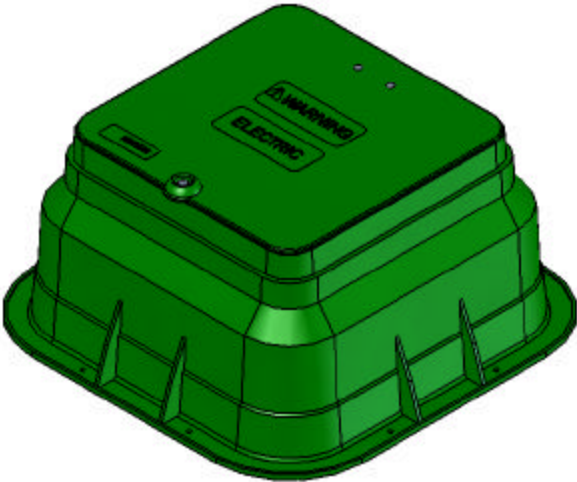


REVISIONS			
REV.	DESCRIPTION	DATE	APPROVED
REL-01		6/19/2006	



3/8-16 SST  
Pentahead Bolt



**Nordic Fiberglass, Inc.**

21415 US Hwy 75 NW, Warren, MN 56762  
www.nordicfiberglass.com  
218-745-5095 ph. --- 218-745-4990 fax

PHH-212115-MG

**PROPRIETARY AND CONFIDENTIAL**  
THE INFORMATION CONTAINED IN THIS DRAWING IS THE SOLE PROPERTY OF NORDIC FIBERGLASS, INC. ANY REPRODUCTION IN PART OR AS A WHOLE WITHOUT THE WRITTEN PERMISSION OF NORDIC FIBERGLASS, INC. IS PROHIBITED.

Customer Name: N/A		
DIMENSIONS ARE IN INCHES TOLERANCES: ANGLES ± 1° FRACTIONAL ± 1/2 ONE PLACE DECIMAL ± .060 TWO PLACE DECIMAL ± .030 THREE PLACE DECIMAL ± .015		
MATERIAL		
DRAWN	NAME P.J.W.	DATE 06/19/06
CHECKED	---	---

SIZE <b>A</b>	ITEM ID: 03512.00	REV. <b>REL-01</b>
SCALE: 1:12		SHEET 1 OF 1