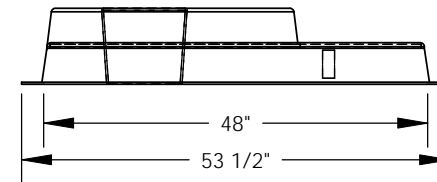
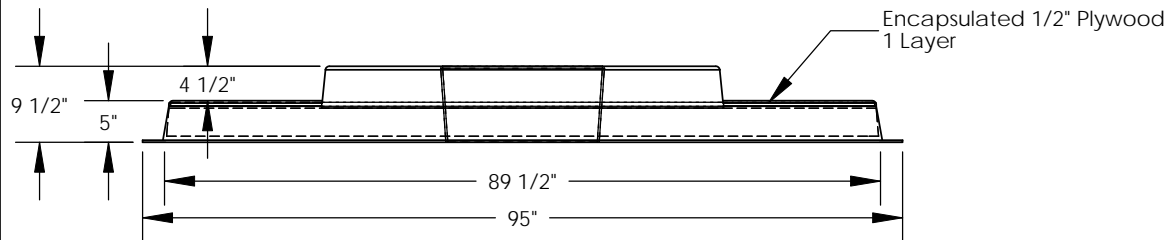
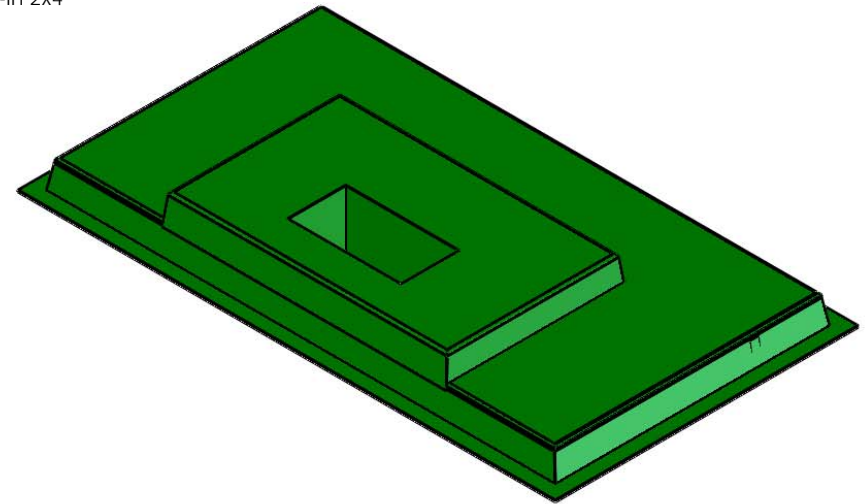
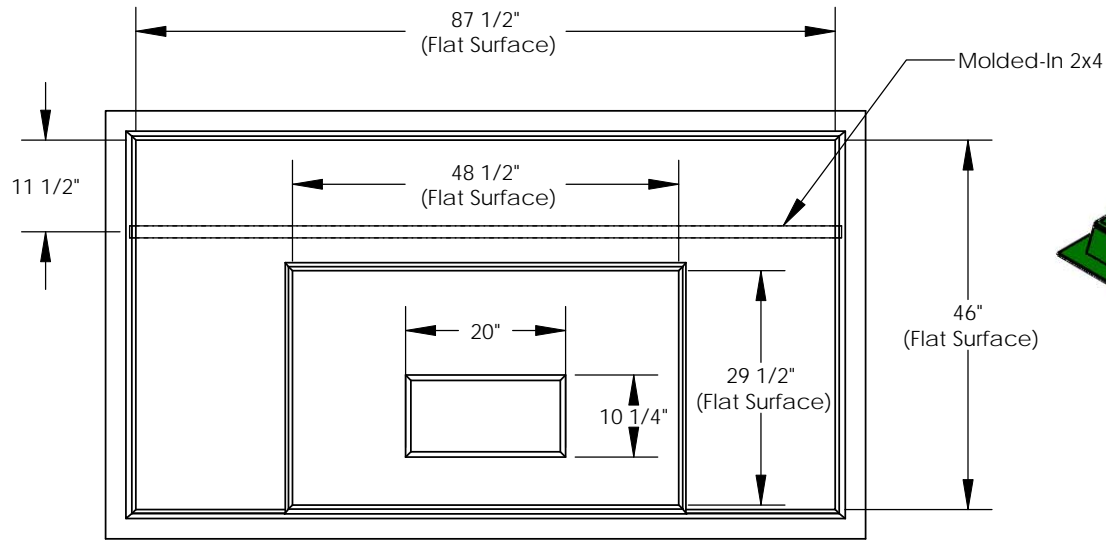


REVISIONS			
REV.	DESCRIPTION	DATE	APPROVED
REL-01		7/23/2007	



**PROPRIETARY AND CONFIDENTIAL**  
 THE INFORMATION CONTAINED IN THIS DRAWING IS THE SOLE PROPERTY OF NORDIC FIBERGLASS, INC. ANY REPRODUCTION IN PART OR AS A WHOLE WITHOUT THE WRITTEN PERMISSION OF NORDIC FIBERGLASS, INC. IS PROHIBITED.

Customer Name: N/A		
DIMENSIONS ARE IN INCHES TOLERANCES: ANGLES $\pm 1^\circ$ FRACTIONAL $\pm 1/2$ ONE PLACE DECIMAL $\pm .060$ TWO PLACE DECIMAL $\pm .030$ THREE PLACE DECIMAL $\pm .015$		
MATERIAL		
DRAWN	NAME P.J.W.	DATE 07/23/07
CHECKED	---	--/--/--

<b>Nordic Fiberglass, Inc.</b>		
21415 US Hwy 75 NW, Warren, MN 56762 www.nordicfiberglass.com 218-745-5095 ph. --- 218-745-4990 fax		
GST-90-48-5-MG-20x10.5		
SIZE <b>A</b>	ITEM ID: 02360.00	REV. <b>REL-01</b>
SCALE:1:24	SHEET 1 OF 1	