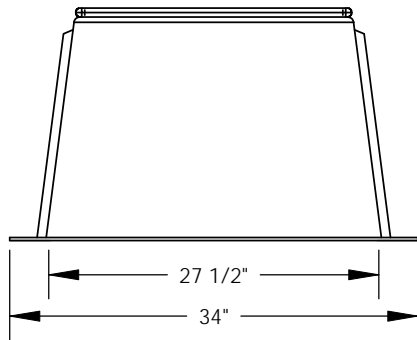
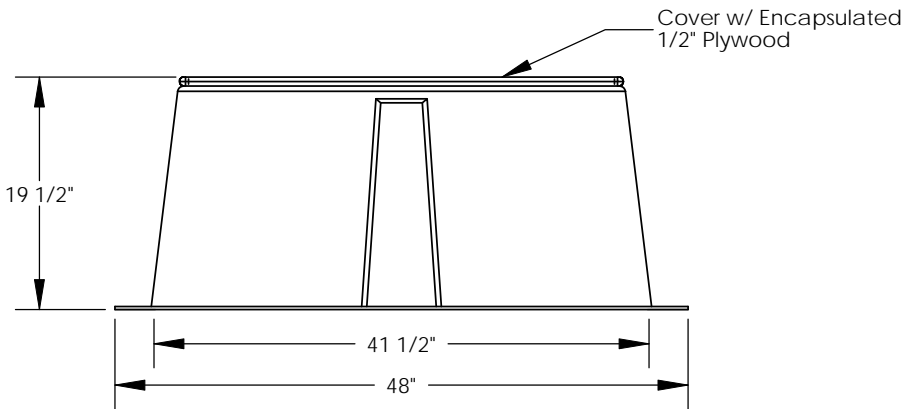
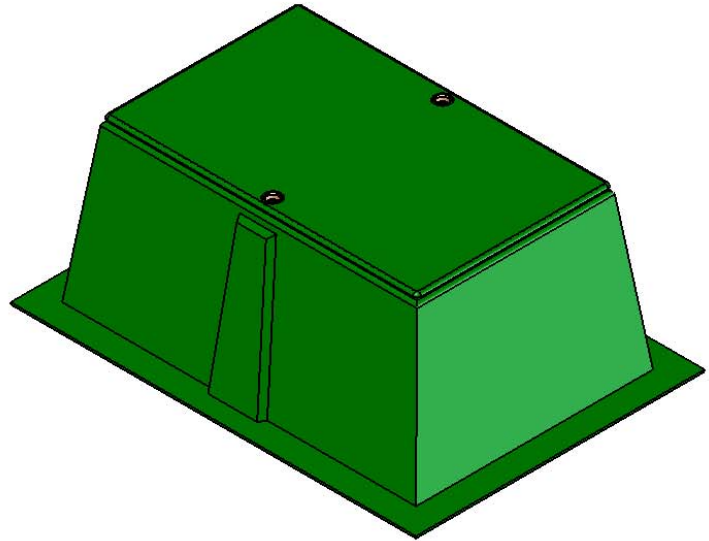
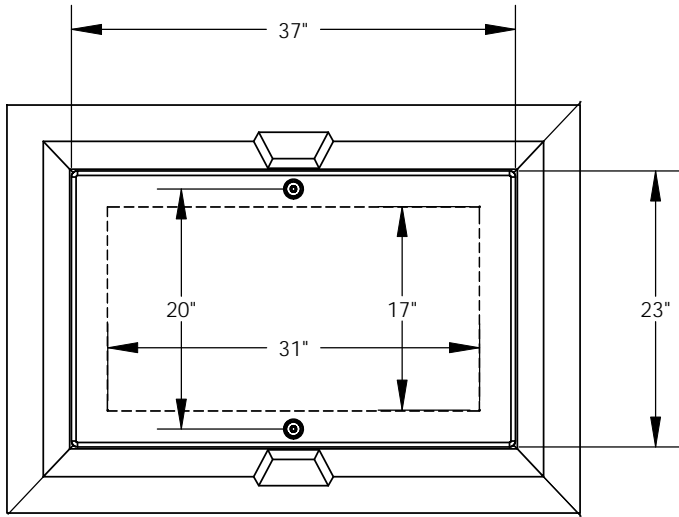


REVISIONS			
REV.	DESCRIPTION	DATE	APPROVED
REL-01		4/27/2007	



NOTE:
Includes (2) 3/8x1.5 SST Pentahead Bolts
for Attaching Cover

Nordic Fiberglass, Inc.

21415 US Hwy 75 NW, Warren, MN 56762
www.nordicfiberglass.com
218-745-5095 ph. --- 218-745-4990 fax

GSHH-37-23-18-MG-31x17

PROPRIETARY AND CONFIDENTIAL
THE INFORMATION CONTAINED IN THIS DRAWING IS THE SOLE PROPERTY OF
NORDIC FIBERGLASS, INC. ANY REPRODUCTION IN PART OR AS A WHOLE
WITHOUT THE WRITTEN PERMISSION OF NORDIC FIBERGLASS, INC. IS PROHIBITED.

Customer Name: N/A		
DIMENSIONS ARE IN INCHES TOLERANCES: ANGLES ± 1° FRACTIONAL ± 1/2 ONE PLACE DECIMAL ±.060 TWO PLACE DECIMAL ±.030 THREE PLACE DECIMAL ±.015		
MATERIAL		
	NAME	DATE
DRAWN	P.J.W.	04/27/07
CHECKED	---	--/--/--

SIZE	ITEM ID:	REV.
A	02290.00	REL-01
SCALE:1:16		SHEET 1 OF 1