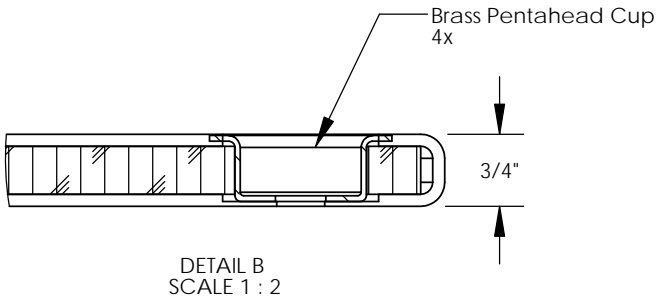
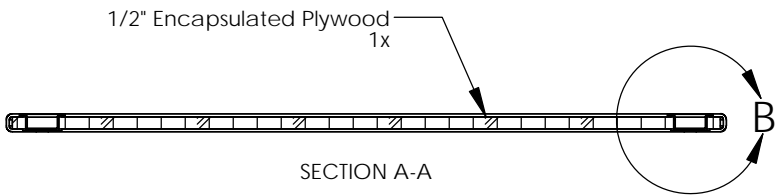
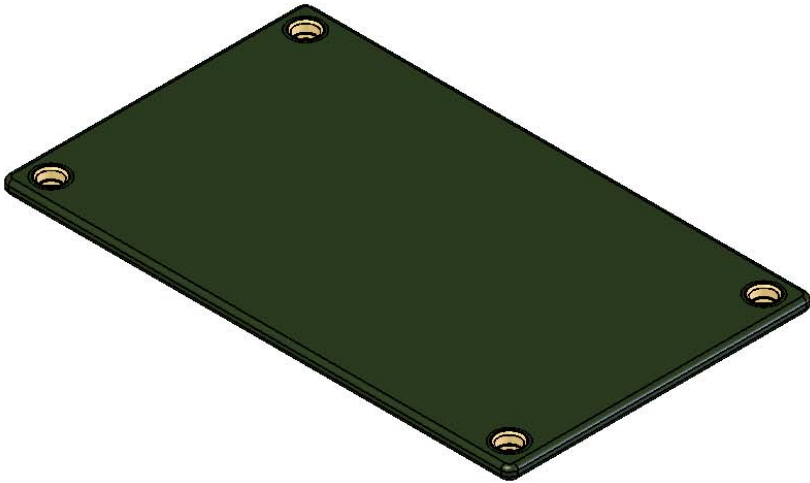
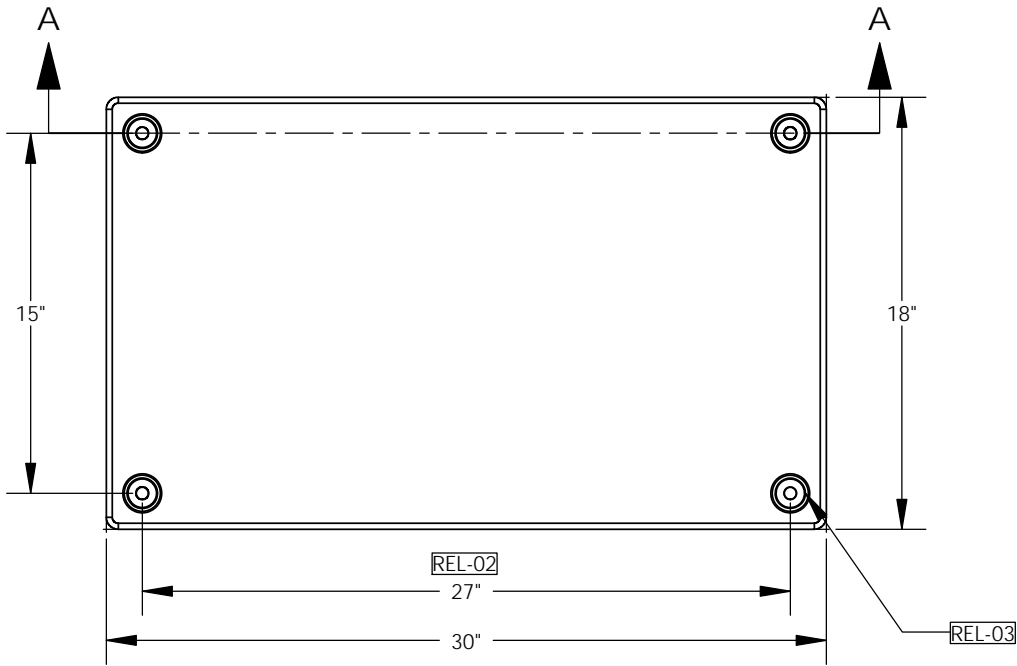


REVISIONS			
REV.	DESCRIPTION	DATE	APPROVED
REL-01		6/2/2006	
REL-02	Changed Penta Cup Spacing From 26 3/4"	4/7/2010	R.L.J.
REL-03	Updated Pentacup Placement and Qty From 2	8/20/2014	R.L.J.



Includes (4) 3/8-16x1.5" SST Pentahead Bolts

**Nordic Fiberglass, Inc.**  
 21415 US Hwy 75 NW, Warren, MN 56762  
 www.nordicfiberglass.com  
 218-745-5095 ph. --- 218-745-4990 fax

**PROPRIETARY AND CONFIDENTIAL**  
 THE INFORMATION CONTAINED IN THIS DRAWING IS THE SOLE PROPERTY OF NORDIC FIBERGLASS, INC. ANY REPRODUCTION IN PART OR AS A WHOLE WITHOUT THE WRITTEN PERMISSION OF NORDIC FIBERGLASS, INC. IS PROHIBITED.

Customer Name: N/A		
DIMENSIONS ARE IN INCHES TOLERANCES: ANGLES $\pm 1^\circ$ FRACTIONAL $\pm 1/2$ ONE PLACE DECIMAL $\pm .060$ TWO PLACE DECIMAL $\pm .030$ THREE PLACE DECIMAL $\pm .015$		
MATERIAL		
DRAWN	NAME	DATE
	P.J.W.	06/02/06
CHECKED	---	--/--/--

GSC-30-18-MG	
SIZE	ITEM ID:
<b>A</b>	02100.00
SCALE:1:8	REV. <b>REL-03</b>
SHEET 1 OF 1	