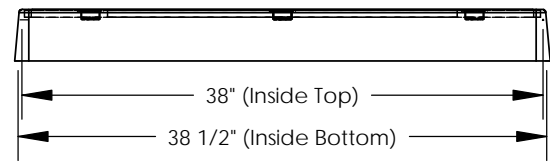
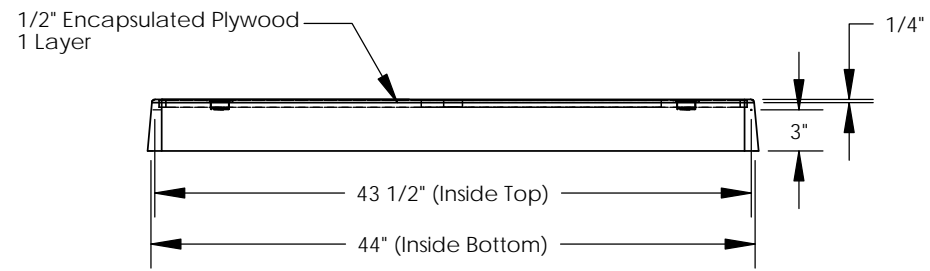
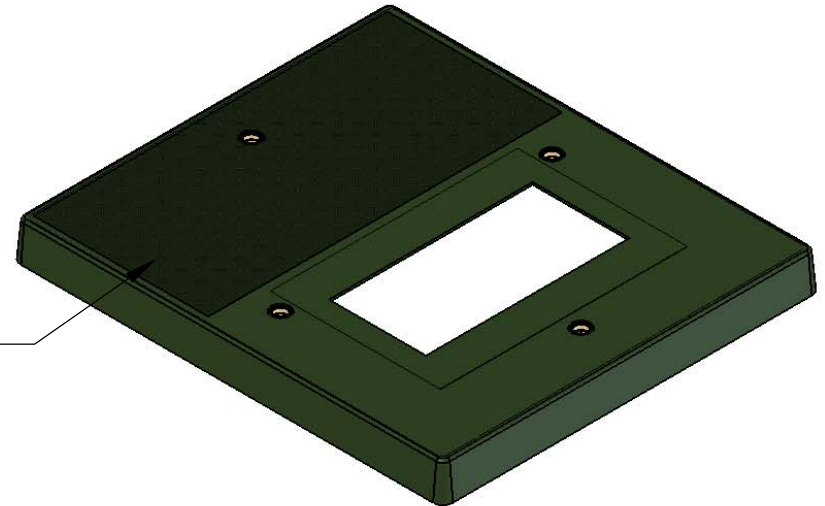
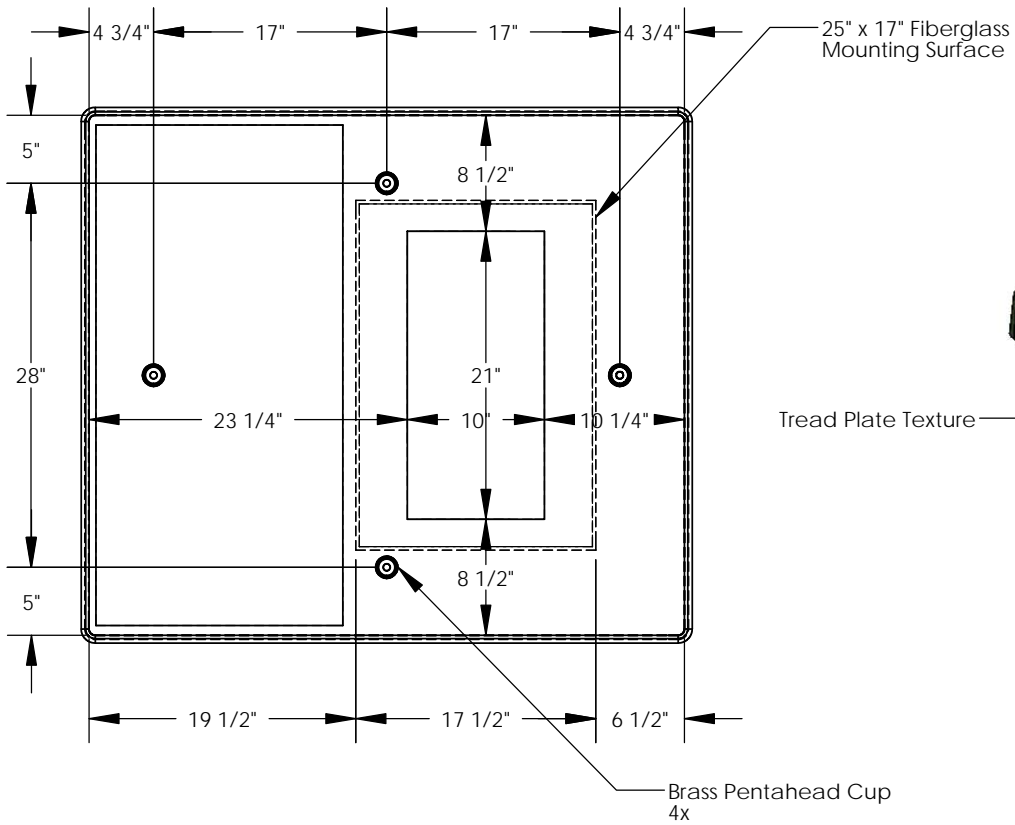


REVISIONS			
REV.	DESCRIPTION	DATE	APPROVED
REL-01		12/13/2007	
REL-02	New Female Mold, Added Downturn	1/15/2009	R.L.J.



NOTES:
Includes (4) 3/8-16x1.5
SST Pentahead Bolts

Nordic Fiberglass, Inc.
21415 US Hwy 75 NW, Warren, MN 56762
www.nordicfiberglass.com
218-745-5095 ph. --- 218-745-4990 fax

PROPRIETARY AND CONFIDENTIAL
THE INFORMATION CONTAINED IN THIS DRAWING IS THE SOLE PROPERTY OF NORDIC FIBERGLASS, INC. ANY REPRODUCTION IN PART OR AS A WHOLE WITHOUT THE WRITTEN PERMISSION OF NORDIC FIBERGLASS, INC. IS PROHIBITED.

Customer Name: N/A		
DIMENSIONS ARE IN INCHES TOLERANCES: ANGLES ± 1° FRACTIONAL ± 1/2 ONE PLACE DECIMAL ±.060 TWO PLACE DECIMAL ±.030 THREE PLACE DECIMAL ±.015		
MATERIAL		
DRAWN	R.L.J.	12/13/07
CHECKED	---	--/--/--

GSA-37-43-MG-21x10	
SIZE	ITEM ID:
A	00146.06
SCALE: 1:16	REV. REL-02
SHEET 1 OF 1	